

FEATURES

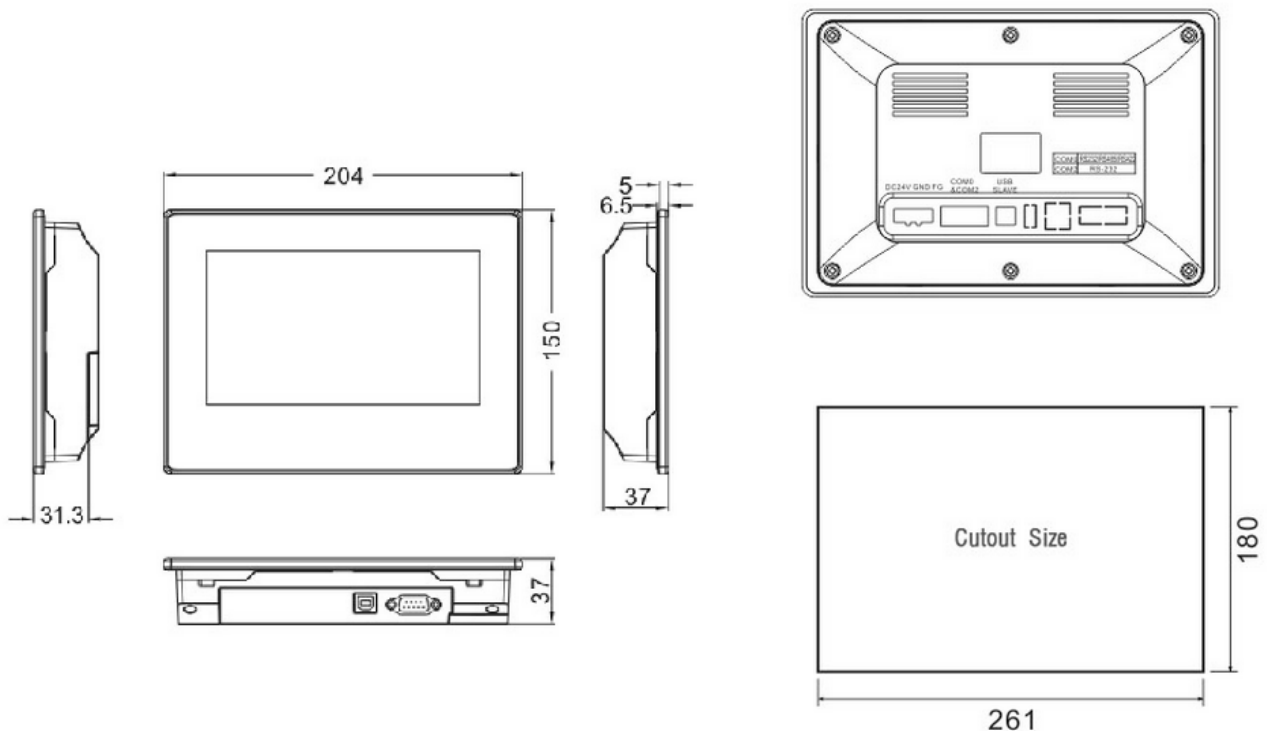
- 7" 16:9 TFT Display
- 65536 True Color TFT LCD
- 32-bit, 800 MHz RISC CPU
- 128 MB FLASH + 64 DDR2
- 512 KB Recipe Memory, Record Data Easily
- Real-Time Clock, 2 Year Reserve Time when Powered Off
- 3 COM Ports, Supports Simultaneous Communication; RS232/RS422/RS485
- Input Voltage Range 21~28VDC



DESCRIPTION

The MT4000 Series is a very powerful HMI product that will make your application soar. This HMI line comes with a 65536 color display mode that gives your touch screen rich color and incomparable resolution. With the application of a powerful 800 MHz 32-bit RISC processor, the MT4000 provides faster processing speeds. Each HMI supports simultaneous communications via its multiple serial ports, so that you may connect to different controllers at the same time. With the simple, convenient and powerful HMIware configuration software, the user can master its design method and create first-class programs efficiently.

DIMENSIONS



L011453

<b>Performance Specifications</b>	
Display	7" 16:9 TFT
Resolution	800 x 480 Pixels
Color	65,536 Colors
Backlight	LED
Brightness	250 cd/m <sup>2</sup>
Backlight Life	50000 Hrs
Touch Panel	4-Wire Precision Resistance
Processor	400MHz RISC 800 MHz RISC
Memory	128 M Flash, 64M DDR2
Expandable Memory	None
Recipe Memory & RTC	512 KB & RTC
Printer Port	Serial Port
Ethernet	None
Program Download	USB SLAVE/ Serial Port
COM Port	COM0: RS232 / RS485 / RS422, COM2: RS232
<b>Electrical Specifications</b>	
Isolated Power Supply	Built-In
Rated Power	7.2 W
Rated Voltage	24 VDC
Input Range	12 ~ 28 VDC
Power Down Allowed	< 3 ms
Insulation Resistance	> 50M $\Omega$ @ 500V DC
Dielectric Strength Test	500 VAC 1 Minute
<b>Structure Specifications</b>	
Shell Color	Black
Shell Material	ABS
Dimensions(mm)	204 x 150 x 37mm
Cutout Size(mm)	192 x 138mm
Weight	0.5 Kg
<b>Environment Specifications</b>	
Operating Temperature	0°~45° C
Operating Humidity	10~90% Non-Condensing
Storage Temperature	-10°~60° C
Storage Humidity	10~90% Non-Condensing
Shockproof Test	10~25 Hz (X,Y, Z Direction, 2G, 30 Minutes)
Cooling Method	Natural Air Cooling
<b>Certifications</b>	
Degree of Protection	IP65 Certification (4208 a 93)
CE Certification	Comply with EN61000-6-2:2005 and EN61000-6-4:2007 Standards
FCC Compatibility	Complies with FCC Class A